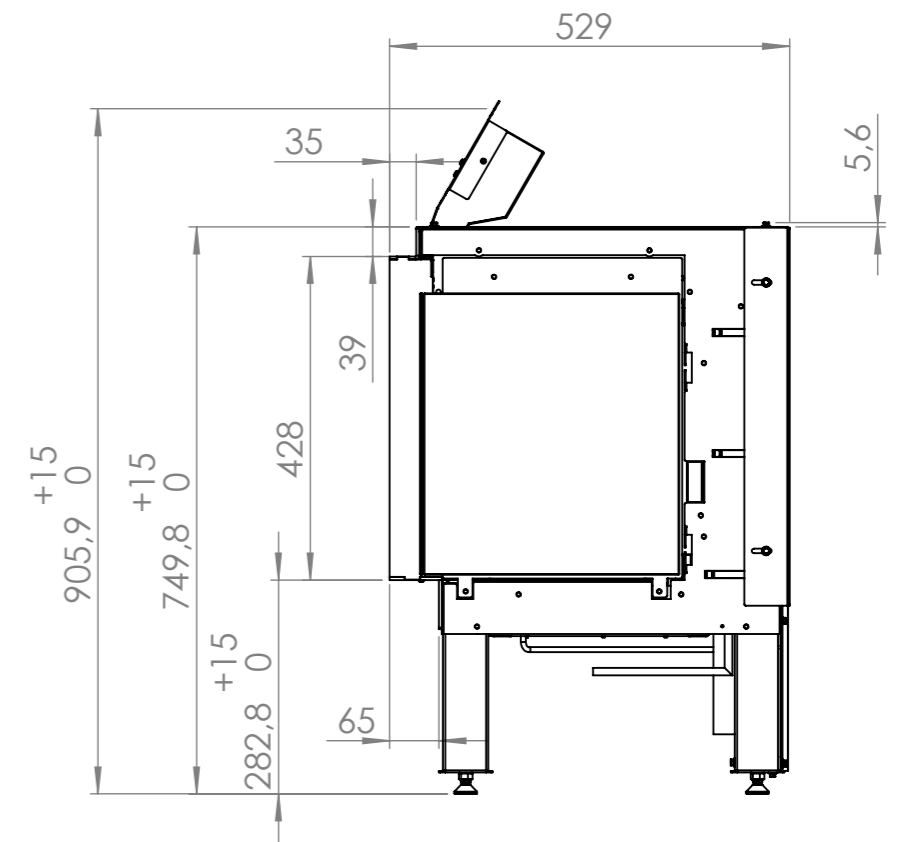
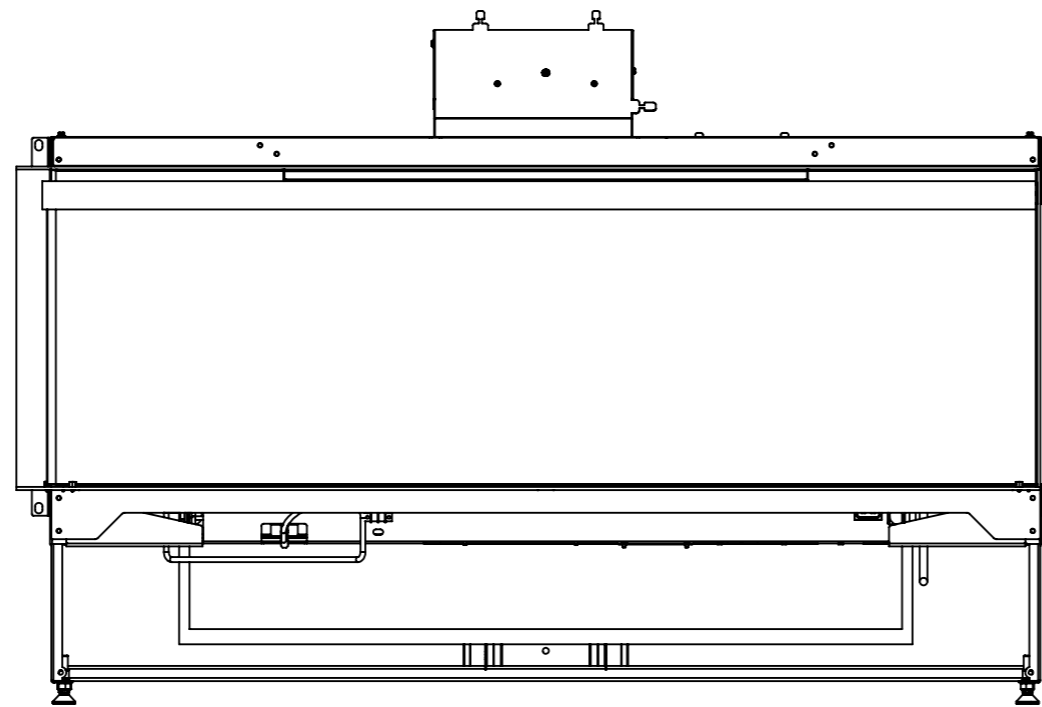
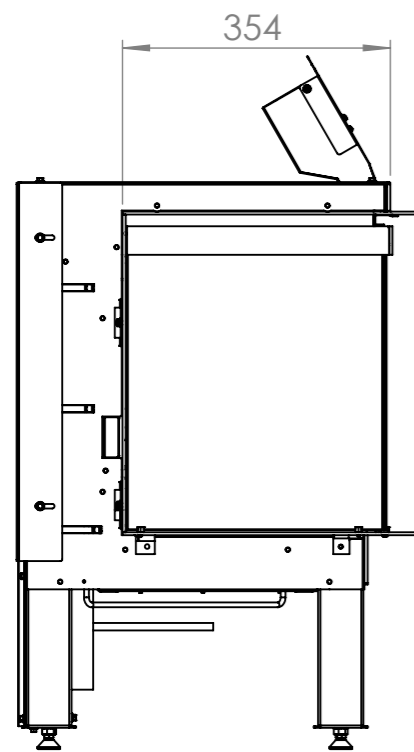
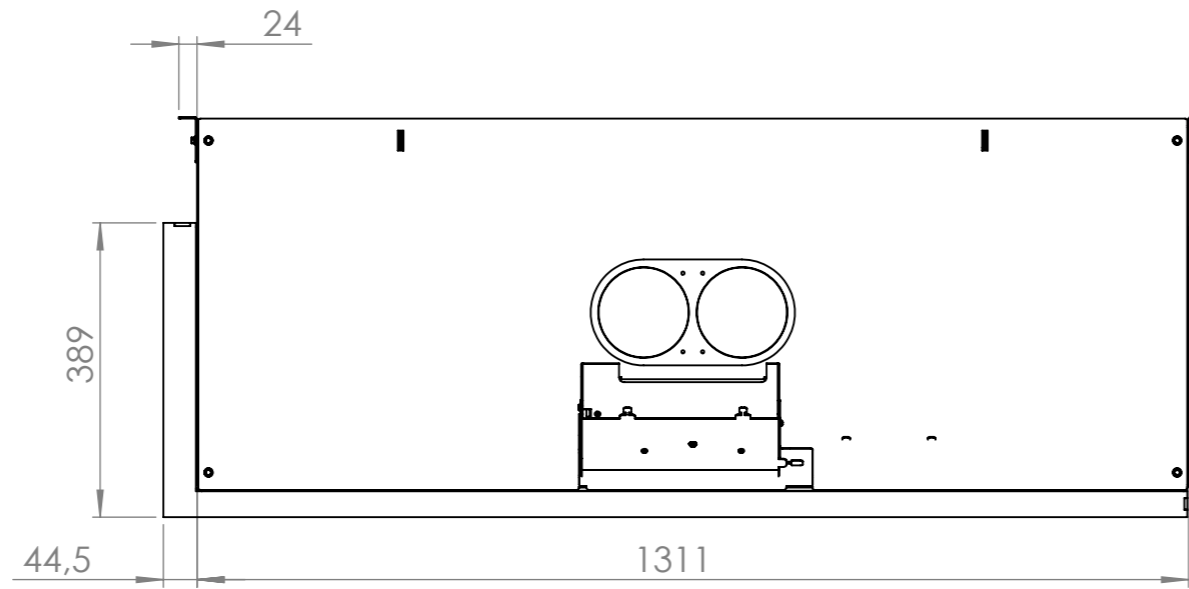
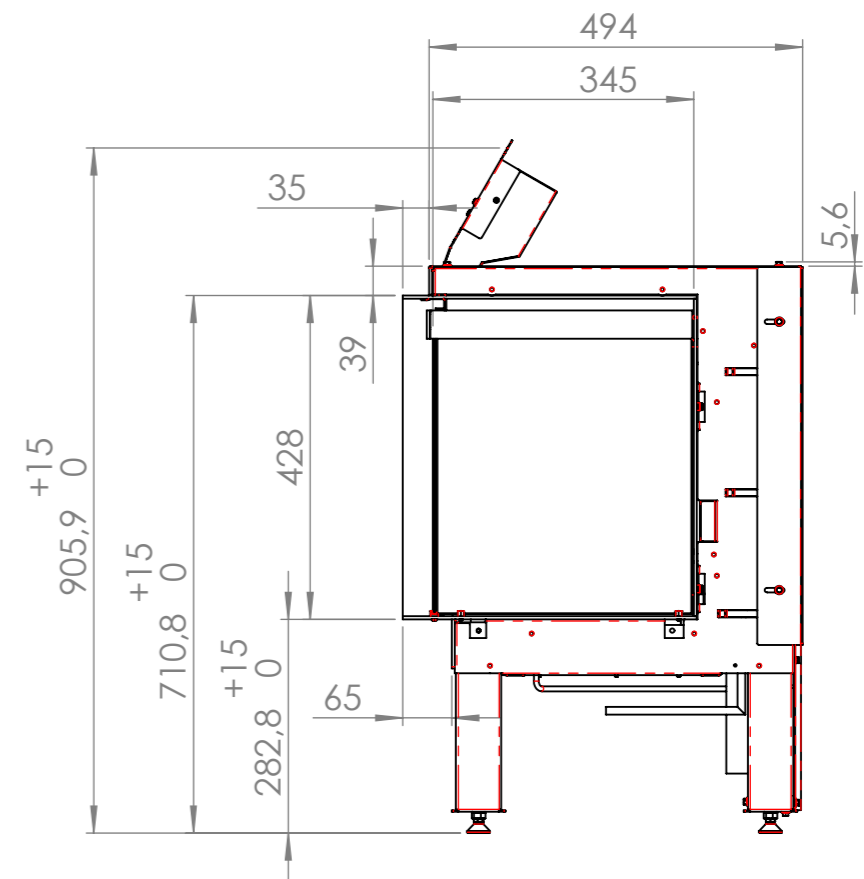
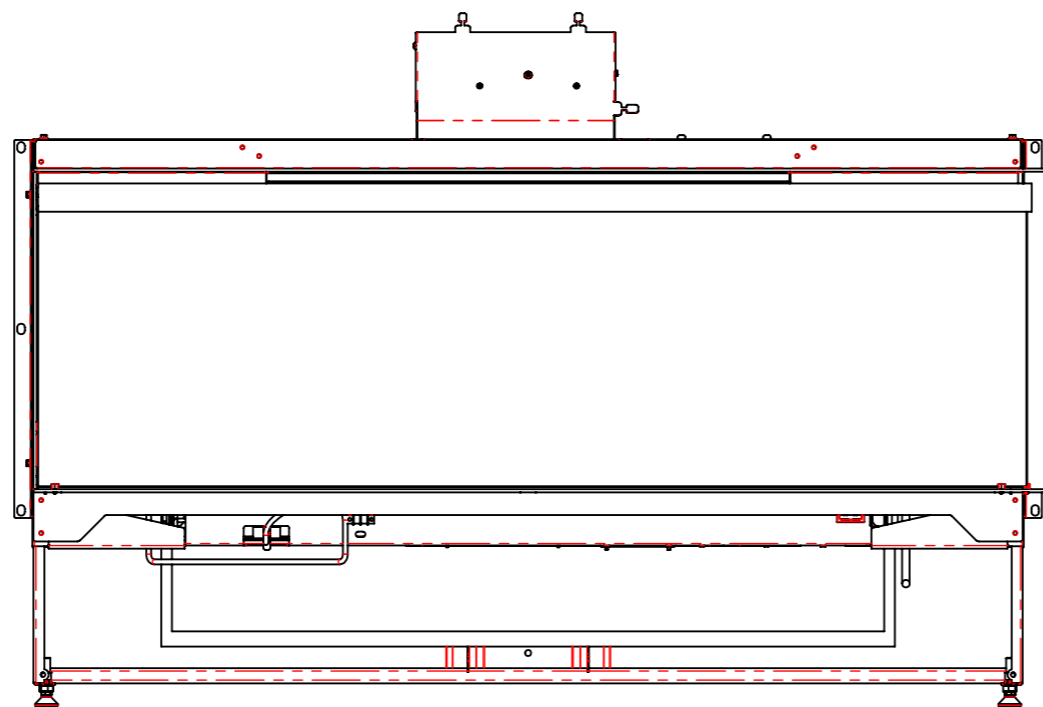
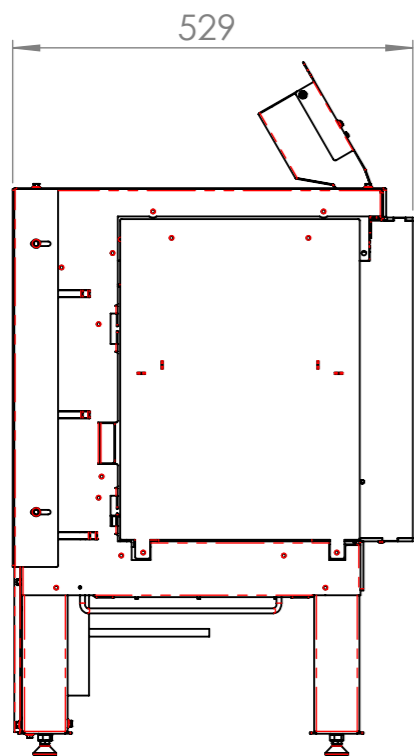
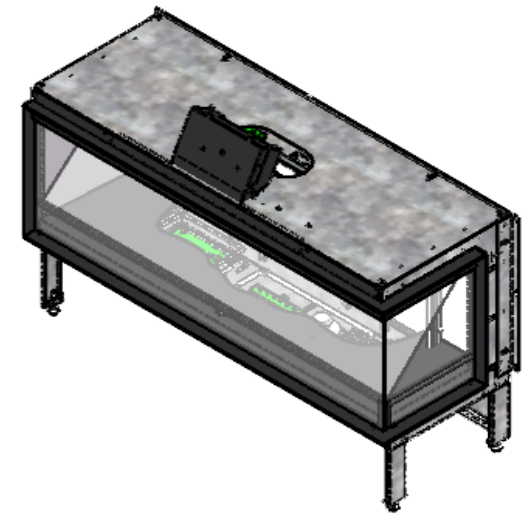
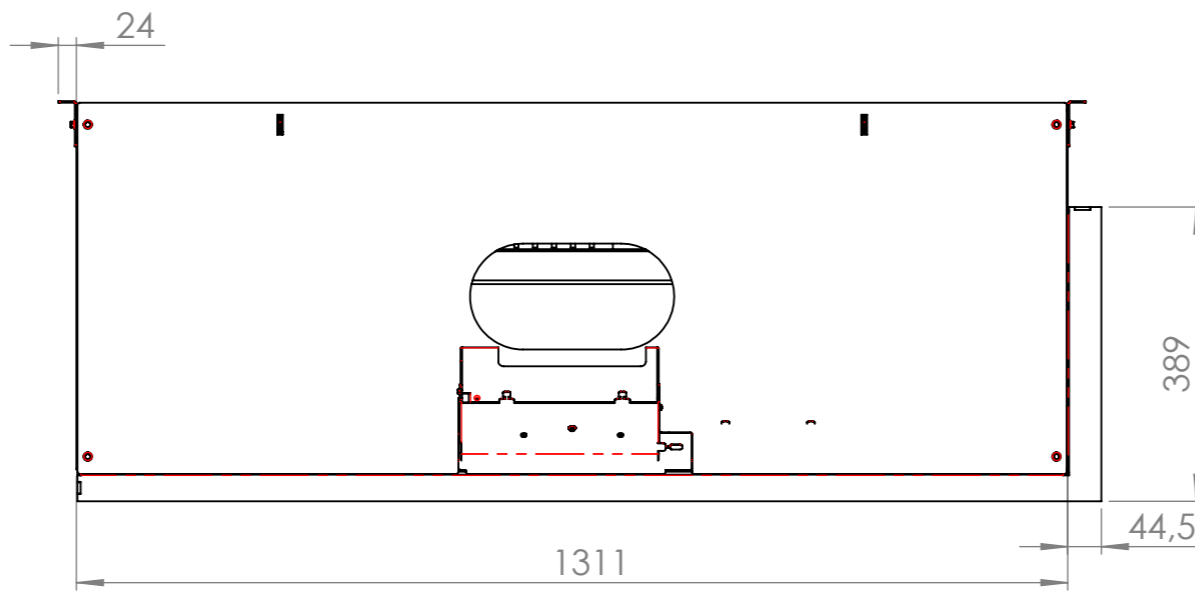



Config: corner left



ISO 2768-mK		Treatment:					
Third Angle Projection ISO 128-Method A		Material:					
	Mass (Kg):	Date:	Author:	Scale:	Page:	Dimensions:	
	137.64	5-4-2022	RS	1:10	1/4	mm	
KALFIRE FIREPLACES		Description:					
		E-ONE 130 3S ASSY					
Document Number:				Revision:	Frame_size:		
KF02931				01	A3		
All rights reserved. Copywrited / Reprints prohibited. Kal-fire BV						State : In Progress	

Config: corner right



ISO 2768-mK		Treatment:				
Third Angle Projection ISO 128-Method A		Material:				
	Mass (Kg):	Date:	Author:	Scale:	Page:	Dimensions:
	131.56	5-4-2022	RS	1:10	3/4	mm
KALFIRE FIREPLACES		Description:				
		E-ONE 130 3S ASSY				
Document Number:				Revision:	Size:	
KF02931				00	A3	
All rights reserved. Copywrited / Reprints prohibited. Kal-fire BV						State : In Progress