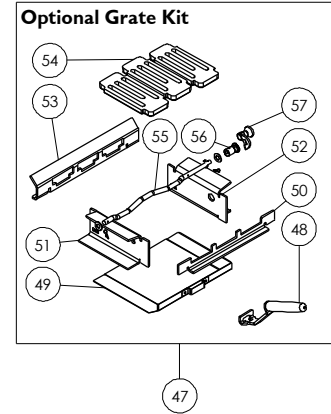
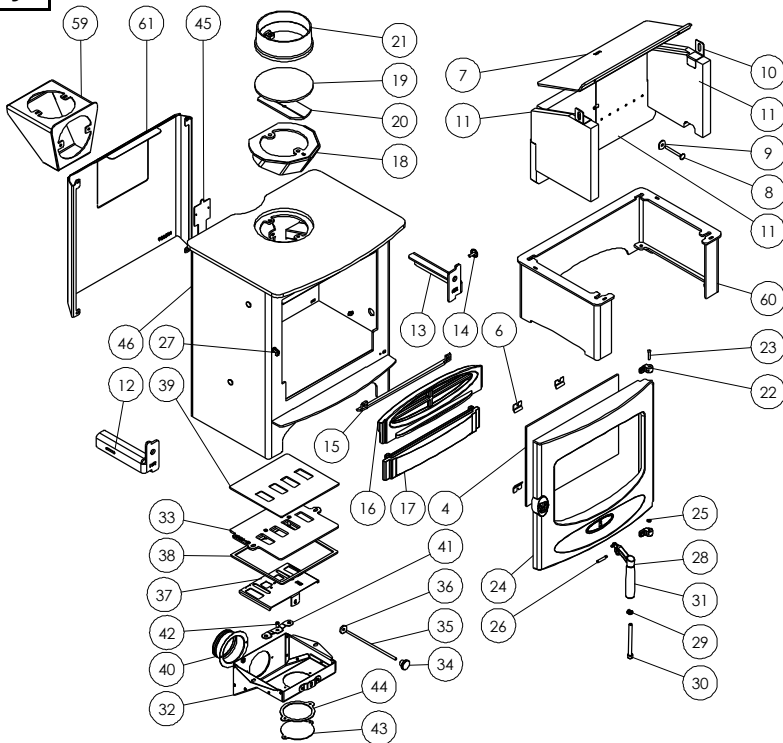




Issue J



Item	Part No.	Description	Ex.Vat.	Inc.Vat.	Item	Part No.	Description	Ex.Vat.	Inc.Vat.
1*	008/NR039	18mm Rope Door Seal (V2 Door) .....	32.50	39.00	31	008/BR013	Wooden Handle .....	14.50	17.40
2*	008/NR038	Door Seal (10mm Dia) .....	14.00	16.80	32	004/CR041	Air Box Cover .....	45.50	54.60
3*	008/FW29	Door Seal Adhesive .....	7.50	9.00	33	010/CR005	Air Control Plate .....	62.00	74.40
4	006/NR019	Glass .....	51.00	61.20	34	008/AY37	Air Control Knob .....	5.25	6.30
5*	008/NR044	Glass Seal .....	12.50	15.00	35	004/ER016	Control Rod .....	2.40	2.88
6	004/KV23	Glass Retainer .....	0.76	0.91	36	008/BR052	Felt Washer .....	1.24	1.49
7	010/NR031	Throat Plate .....	58.50	70.20	37	004/CR007	Air Inlet Slide .....	31.00	37.20
8	008/FFB125	Coach Bolt M6 x 45 .....	0.79	0.95	38	008/BR045	Lower Airbox Gasket .....	11.50	13.80
9	010/ER036	Brick Retaining Washer .....	2.10	2.52	39	008/CR006	Airbox Gasket .....	11.50	13.80
10	004/XV30	Brick Bracket .....	4.00	4.80	40	008/CR048	Air Inlet Spigot .....	7.90	9.48
11	011/NR030/S	Set of Firebricks .....	90.00	108.00	41	004/BR015	Clicker Retainer Plate .....	3.85	4.62
12	010/NR028	L.H. Brick and Fence Support .....	19.60	23.52	42	008/ES36/01	Brass Ball Catch .....	4.95	5.94
13	010/NR029	R.H. Brick and Fence Support .....	19.60	23.52	43	004/CR064	Coverplate .....	10.70	12.84
14	004/DY22	Riddler Hole Plug .....	5.05	6.06	44	008/CR063	Duct Gasket .....	5.25	6.30
15	010/NR018	Ash Deflector .....			45	012/NR011	Serial No. Label .....		
16	002/NR017	Fuel Retainer .....	66.00	79.20	46	001/NR010	Firebox .....		
17	002/BR034	Wood Ash Retainer .....	44.00	52.80	47	010/NR022	Grate Kit (Inc Handle) .....	220.00	264.00
18	010/NR070	Flue Collar Deflector .....	87.00	104.40	48	012/BV20/A	Ashpan Tool .....	29.50	35.40
18a*	008/NV38	Flue Fixing Rope Seal .....			49	004/BR033	Ashpan .....	43.50	52.20
19	012/PV09	Blanking Plate .....	26.50	31.80	50	010/EY06	Front Grate Support .....	37.50	45.00
20	010/EY51	Clamping Plate .....	21.00	25.20	51	010/NR043	L.H. Grate Support .....	30.00	36.00
21#	002/PV12B	Flue Collar .....	62.00	74.40	52	010/NR042	R.H. Grate Support .....	30.00	36.00
22	002/BR020	Flue Casting .....	12.80	15.36	53	010/NR061	Rear Grate Support .....	30.00	36.00
23	008/BW39/S	Hinge Pin Set 5mm x 25mm .....	4.15	4.98	54	002/EY03	Grate Plate .....	37.50	45.00
24#	002/NR001/A	Door Assembly .....	250.00	300.00	55	010/DR060	Riddler Rod .....	38.50	46.20
25	008/FFW026	M6 Heavy Brass Washer .....	0.15	0.18	56	002/DY21	Riddler Knob .....	24.00	28.80
26	004/BR014	Handle Pivot Pin .....	5.70	6.84	57	008/DY27	Riddling Tool .....	15.50	18.60
27	002/PV13	Door Latch .....	9.65	11.58	58*	010/EW54	Ash Carrier .....	132.00	158.40
28	002/BR012	Handle Casting .....	23.50	28.20	59#	010/BU034	Vertical Rear Flue Adapter (Opt'l Extra) .....	132.00	158.40
29	008/FFW015	Thackery Washer .....	2.40	2.88	60#	010/NR050	Store Stand (Optional Extra) .....	146.00	175.20
30	008/FFB007	M8 x 100 Allen Hd Bolt .....	0.50	0.60	61	010/NR057	Heat Shield (Optional Extra) .....		NA

\* These items are not shown on the drawing.

# Please specify colour when ordering. Prices are shown in pounds sterling with vat at 20% They are correct at the date shown but may be subject to change without notice. E. & O.E These prices are subject to a carriage charge

To obtain spare parts please contact your local stockist giving Model, Part No. and Description. In case of difficulty contact the manufacturer at the address shown. This drawing is for identification purposes only.

