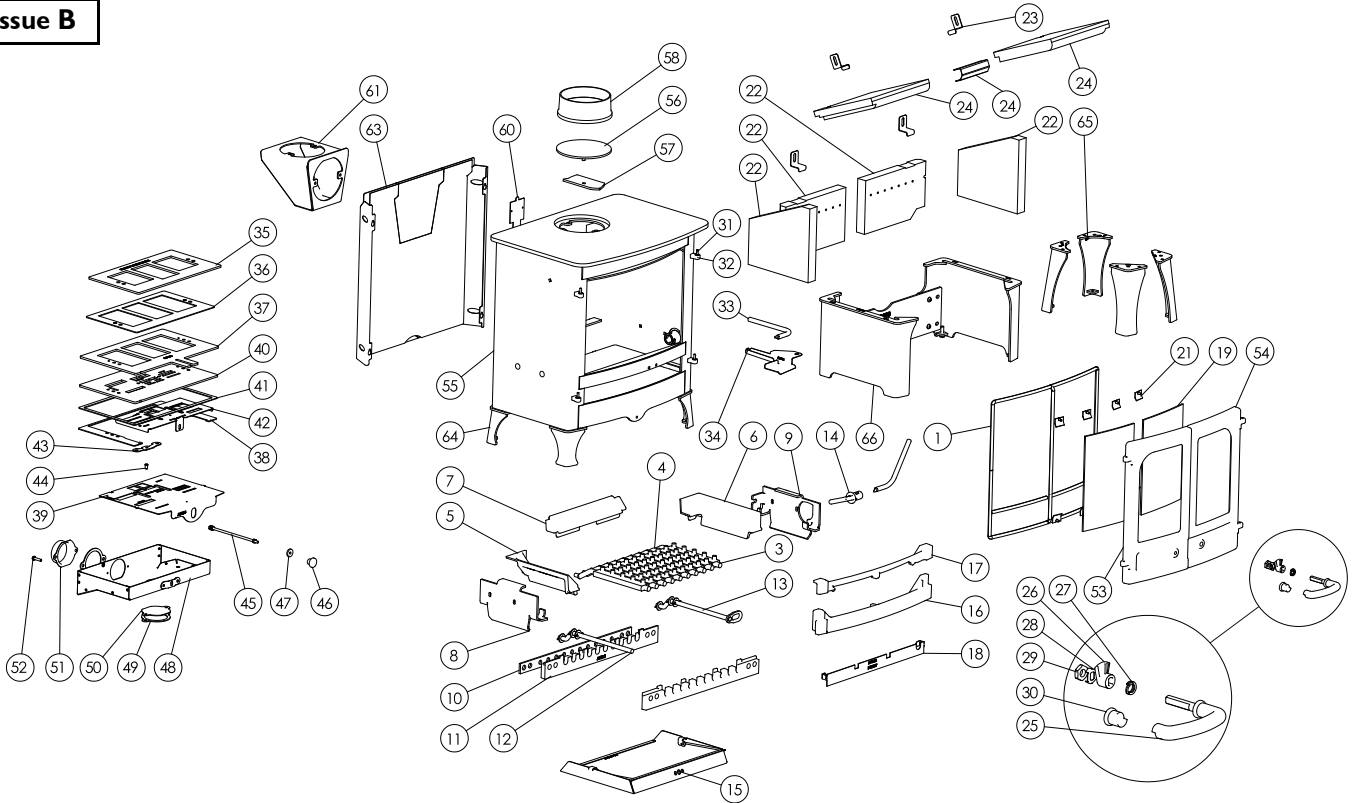




Issue B



Item	Part No.	Description	Ex.Vat.	Inc.Vat.	Item	Part No.	Description	Ex.Vat.	Inc.Vat.
1	008/AP62S	Door Seal Set Inc. Adhesive	20.00	24.00	34	004/AP051	Tool Holder	12.10	14.52
2*	008/FW29	Door Seal Adhesive	7.50	9.00	35	010/AP116	Air Box Spacer	32.50	39.00
3	002/CG20	Grate Bar	18.30	21.96	36	008/AP036	Air Control Gasket	9.65	11.58
4	002/CG20S10	Set of Grate Bars (10)	150.00	180.00	37	010/AP037	Air Control Top Slider Plate	32.00	38.40
5	002/BU015L	LH Side Fire Plate	45.00	54.00	38	004/AP033	Wood/Multifuel Surround Plate	22.50	27.00
6	002/BU015R	RH Side Fire Plate	45.00	54.00	39	004/AP035	Wood/Multifuel Selection Slide	40.50	48.60
7	002/AU016	Back Fire Plate	36.00	43.20	40	010/AP130	Air Control Lower Plate	38.00	45.60
8	010/AP039	LH Carrier Bar Support	34.50	41.40	41	008/AP045	Air Box Gasket	9.65	11.58
9	010/AP040	RH Carrier Bar Support	34.50	41.40	42	004/AP020	Air Control Slider	23.00	27.60
10	010/AU033	Mover Bar	45.50	54.60	43	004/BR015	Clicker Retainer Plate	3.85	4.62
11	002/AY30	Carrier Bar	52.50	63.00	44	008/ES36/01	Brass Ball Catch	4.95	5.94
12	012/FW14	Idler Rod	39.00	46.80	45	004/GR086	Control Rod	16.60	19.92
13	010/BU077	Riddler Rod Assembly	39.00	46.80	46	008/AY37	Air Control Knob	5.25	6.30
14	002/AP098	Riddler Spigot	31.00	37.20	47	008/BR052	Felt Washer	1.24	1.49
15	004/AP017	Ashpan	52.00	62.40	48	004/AP060	Air Box Cover	46.00	55.20
16	002/AP007	Front Firebar	35.00	42.00	49	008/BR044	Duct Gasket	11.50	13.80
17	002/AP008	Deepening Bar	32.50	39.00	50	004/BR054	Blanking Plate	10.70	12.84
18	004/AP052	Front Ash Shedding Plate	12.10	14.52	51	004/BR053	Air Inlet Spigot	28.50	34.20
19	006/AP018	Glass	70.00	84.00	52	008/FFS062	Defra Stop	0.10	0.12
20*	008/AY45	Glass Seal	13.80	16.56	53#	003/AP001A	LH Door Assembly	200.00	240.00
21	004/KV23	Glass Retainer	0.76	0.91	54#	003/AP002A	RH Door Assembly	210.00	252.00
22	011/AP029S	Set of Fire Bricks (4)	89.00	106.80	55#	001/AP010	Firebox (Island I AP)		
23	004/XV30	Brick Retainer (4)	4.00	4.80	56	012/PV09	Blanking Plate	26.50	31.80
24	011/AP031S	Set of Throat Plate Bricks Inc. Bracket ..	44.00	52.80	57	010/EY51	Clamping Plate	21.00	25.20
25	008/KV16	RH Door Handle	24.00	28.80	58#	002/PV12B	Flue Collar	62.00	74.40
26	002/AY14	Door Catch Cam	11.20	13.44	59	008/EY38	Flue Fixing Rope Seal	8.20	9.84
27	008/FFW015	M12 Double Coil Spring Washer	2.40	2.88	60	012/AP011	Serial No Label		
28	004/ST008	Tabbed Locking Washer	1.58	1.90	61#	010/BU034	Vert Rear Flue Connector (Opt'l Extra)	132.00	158.40
29	008/FFN001	M12 Half Nut	0.23	0.28	62	010/EW51	Ash Carrier (Opt'l Extra)	132.00	158.40
30	008/KV13	LH Door Knob	3.85	4.62	63#	010/AP057A	Heatshield (Opt'l Extra)	93.00	111.60
31	008/ST068/4	Hinge Pin Set (4)	4.60	5.52	64#	010/BP012S	Set of Low Legs (Option)	51.00	61.20
32#	002/AP024	Hinge Post	16.90	20.28	65#	010/AY85S	Set of High Legs (Option)	94.00	112.80
33	004/EZ095	Riddling/Ashpan Tool	26.00	31.20	66#	010/BP087	Store Stand (Option)	210.00	252.00

*These items are not shown on the drawing.

Please specify colour when ordering. Prices are shown in pounds sterling with vat at 20% They are correct at the date shown but may be subject to change without notice. E. & O.E These prices are subject to a carriage charge.

To obtain spare parts please contact your local stockist giving Model, Part No. and Description. In case of difficulty contact the manufacturer at the address shown. This drawing is for identification purposes only.

