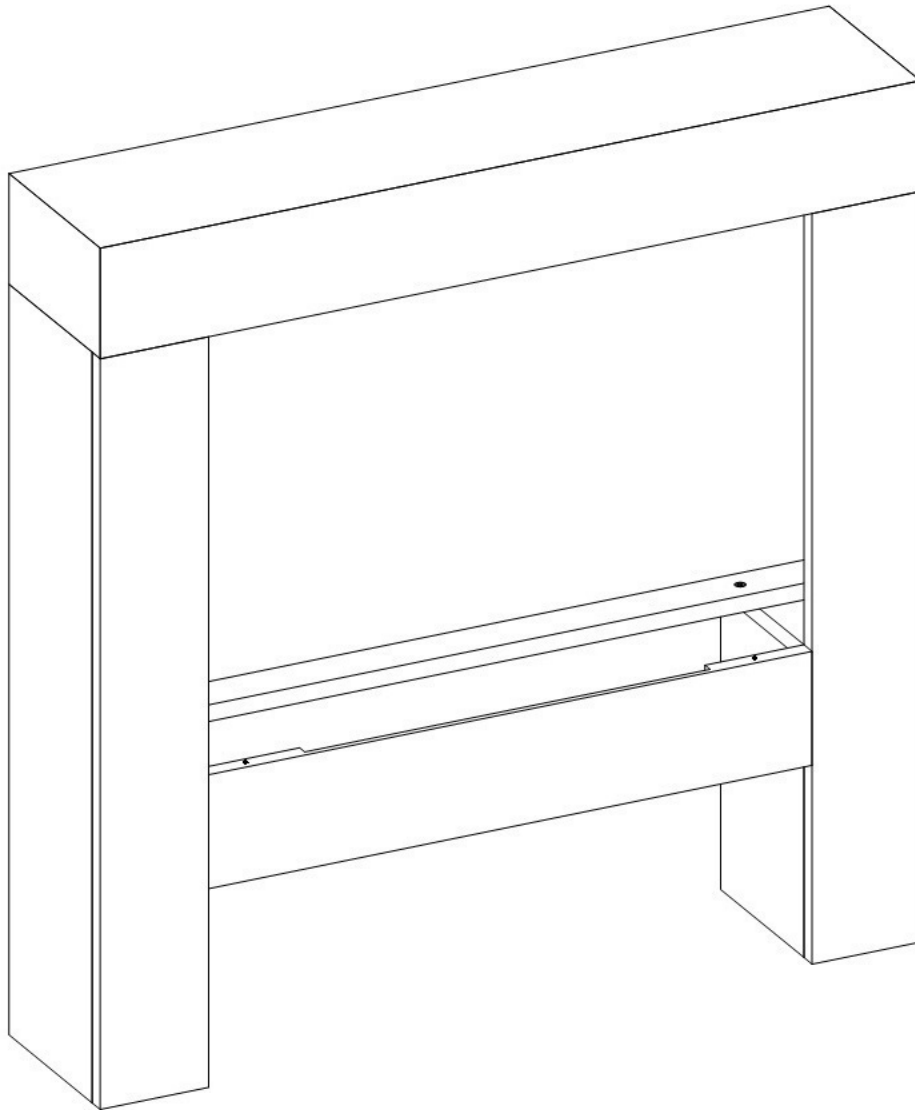


BOLEA

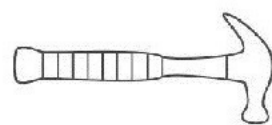
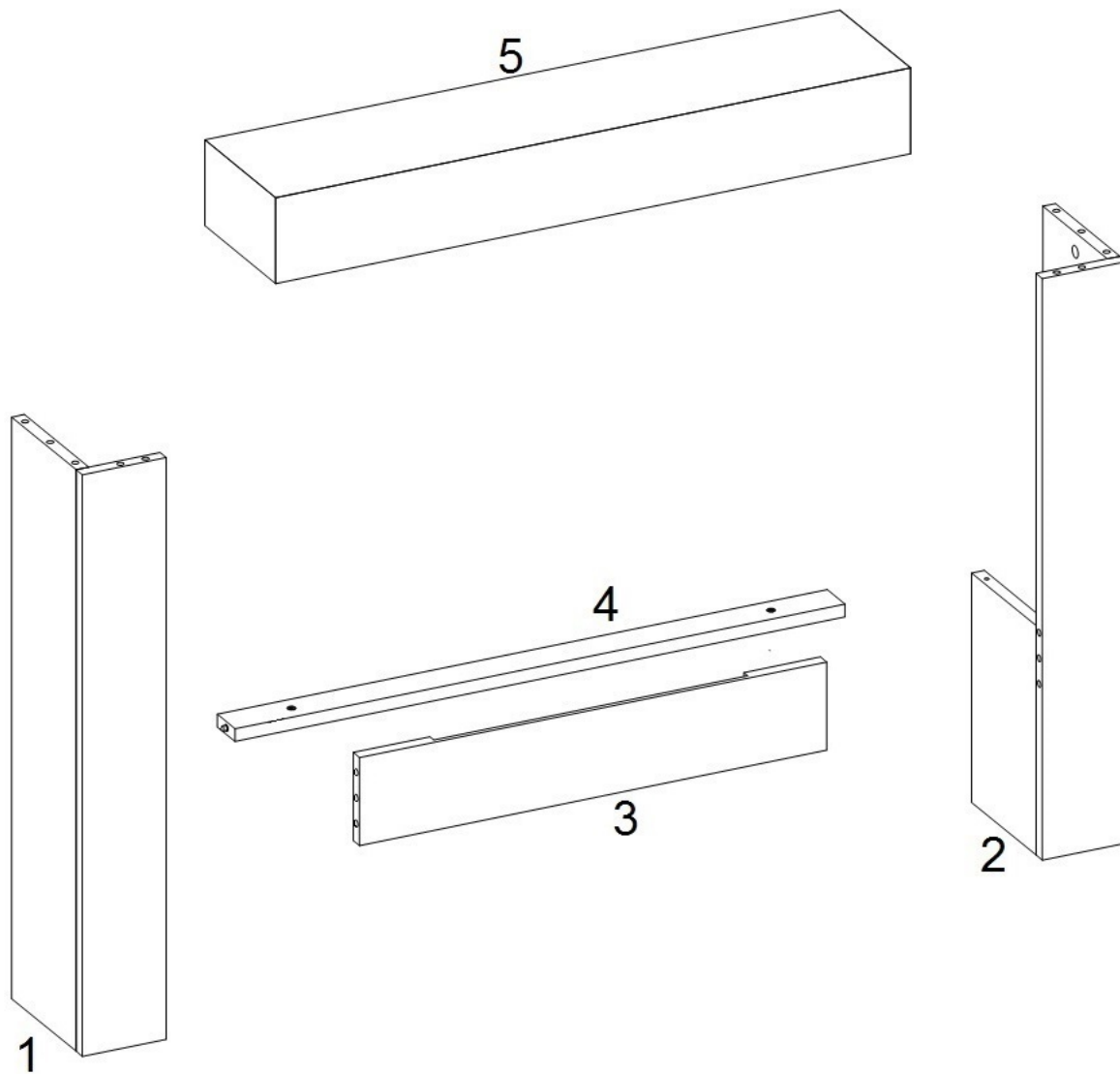
INSTRUCTION



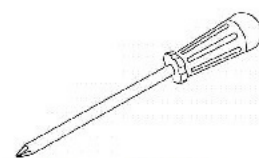
IMPORTANT: Please read this instruction carefully, keep for further reference and check all parts before assembling.

Xaralyn B.V.








info@xaralyn.com
www.xaralyn.com



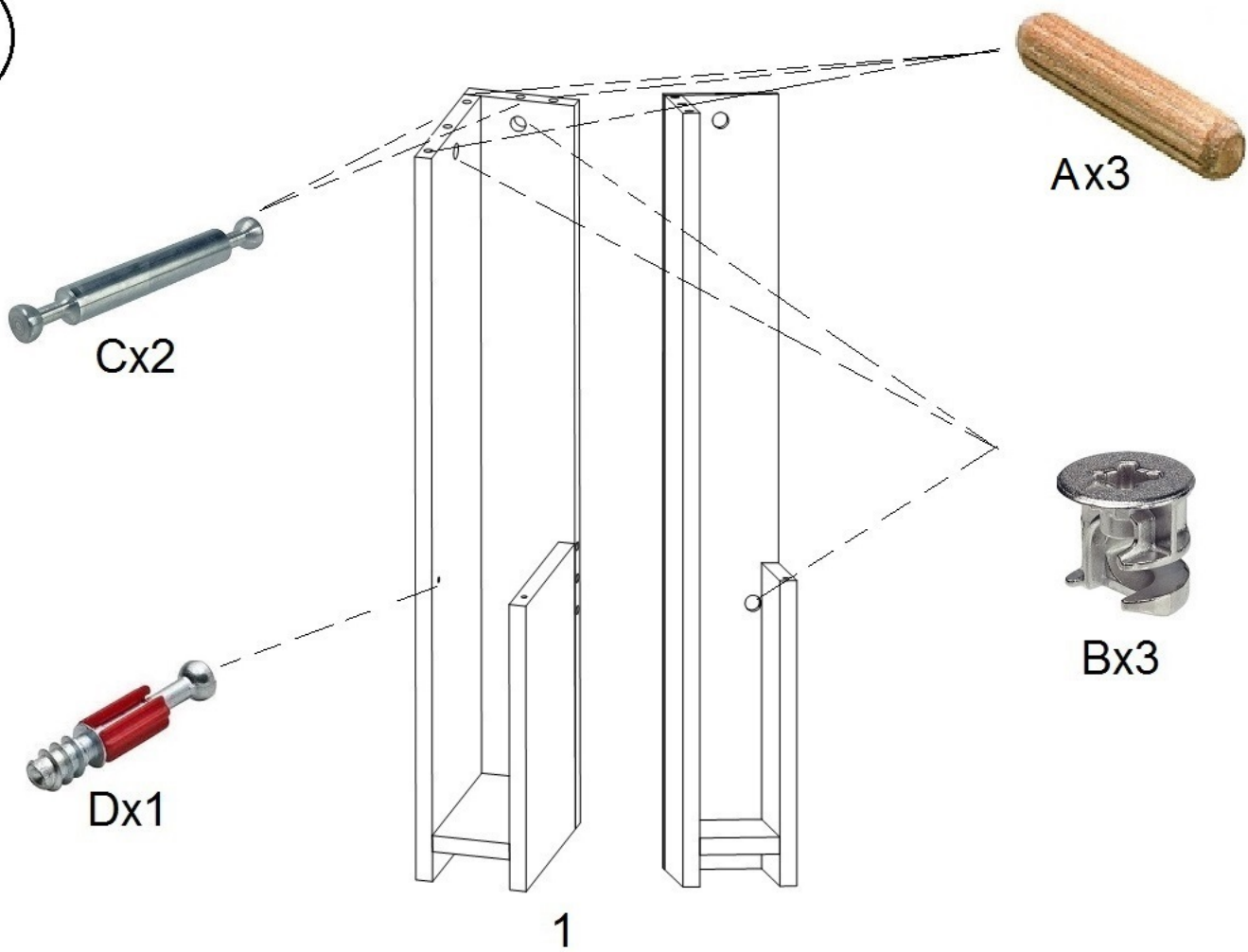
For A,F



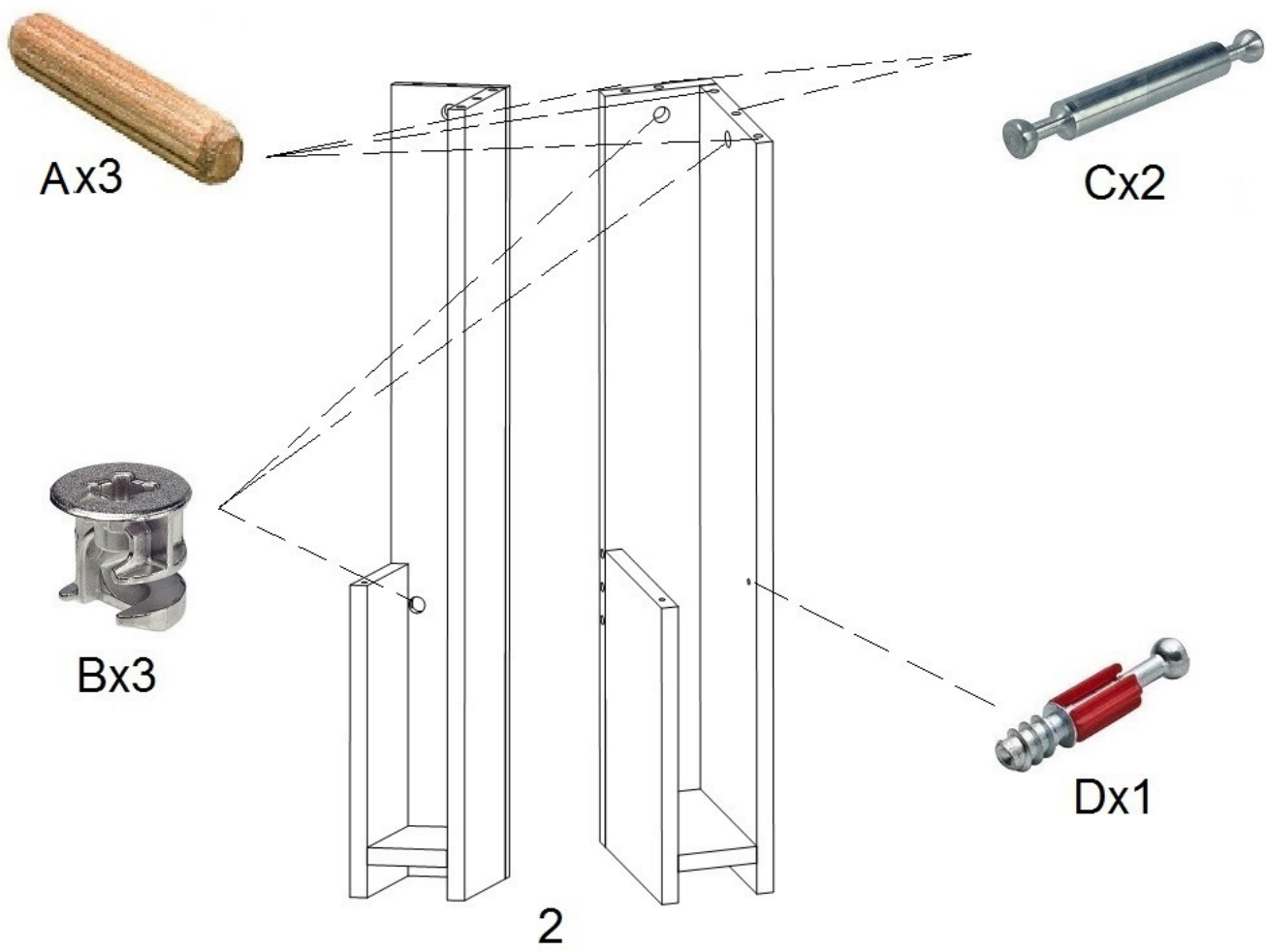
For B,D

 <p>8x35</p> <p>Ax6</p>	 <p>∅15</p> <p>Bx14</p>	 <p>6x45</p> <p>Cx6</p>	 <p>6x35</p> <p>Dx2</p>
 <p>7x35</p> <p>Ex4</p>	 <p>For E</p> <p>x1</p>	 <p>4x45</p> <p>Fx4</p>	

1



2



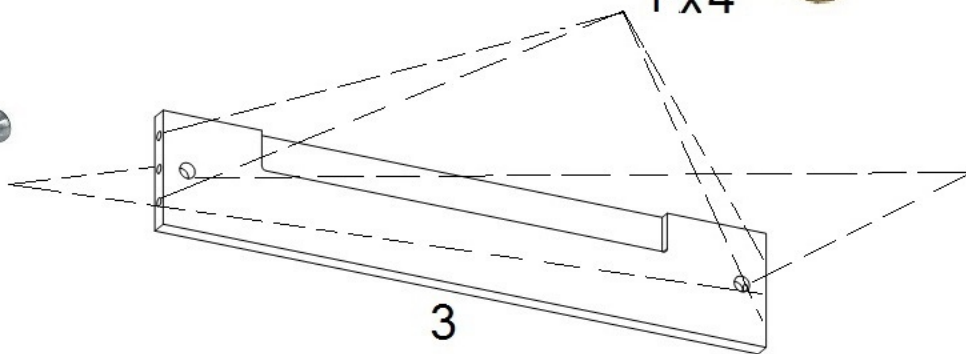
3



Cx2

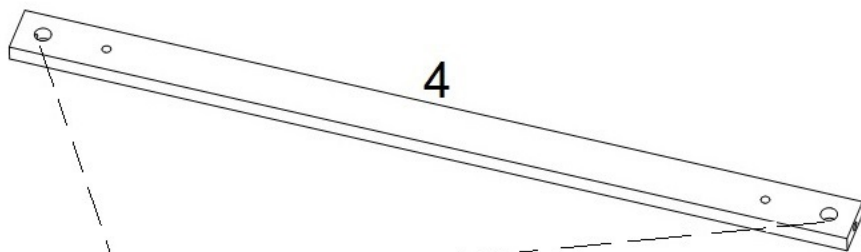


Fx4

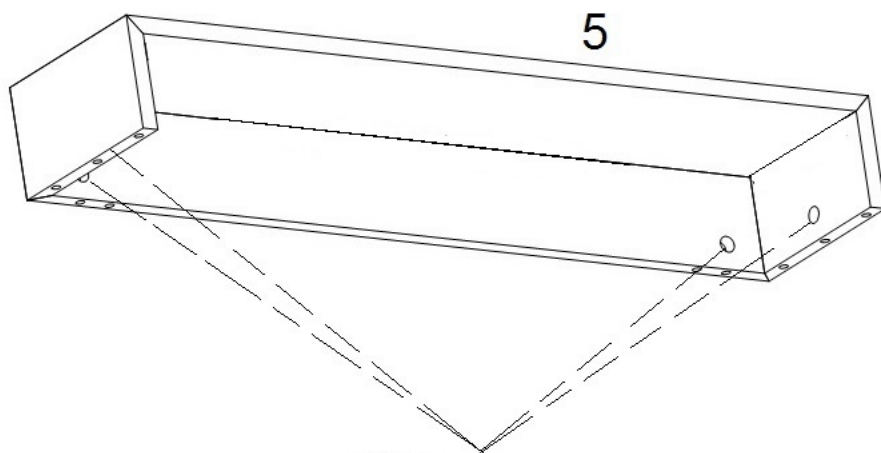


Bx2

4

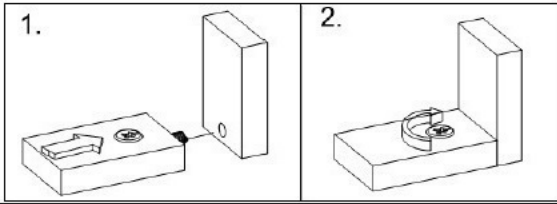
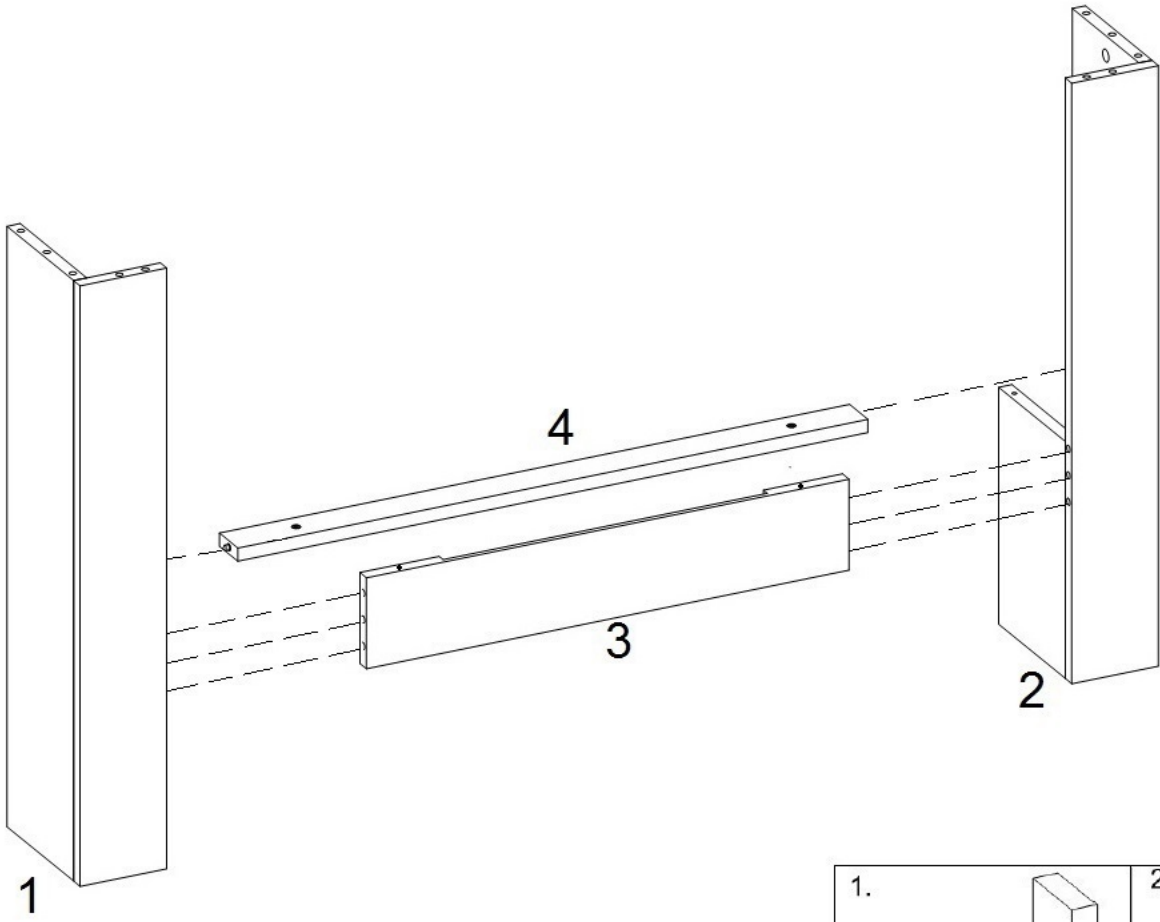


Bx2

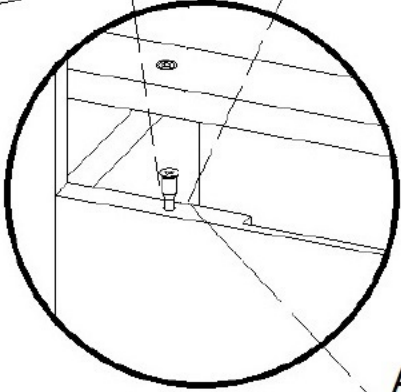
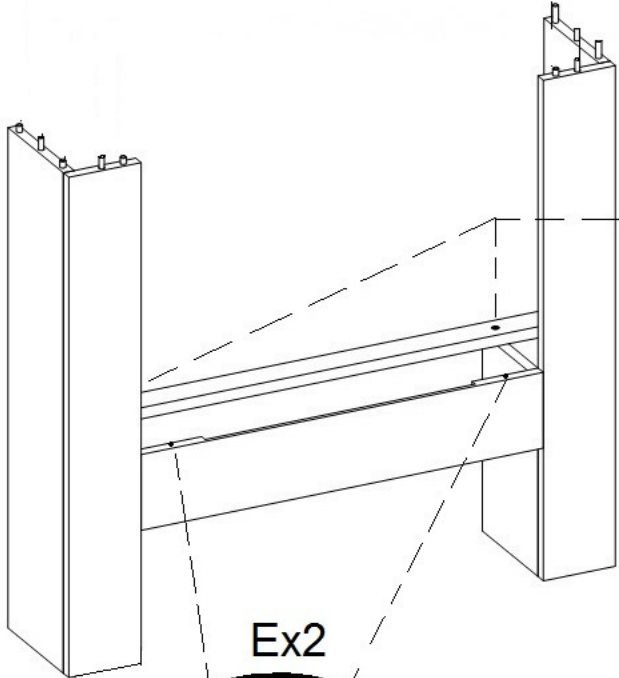


Bx4

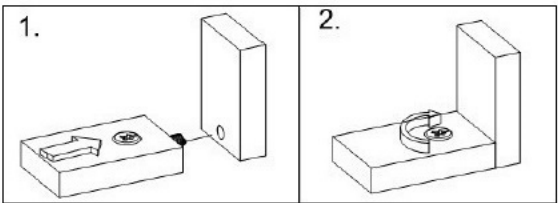
6



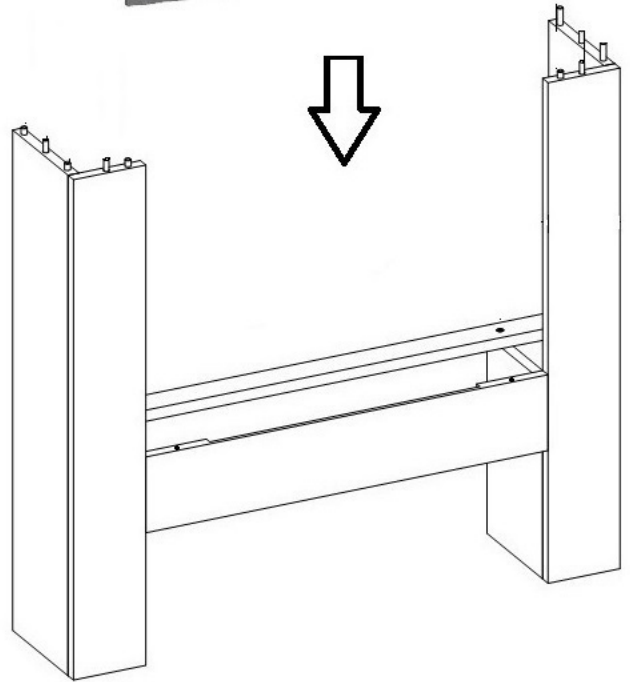
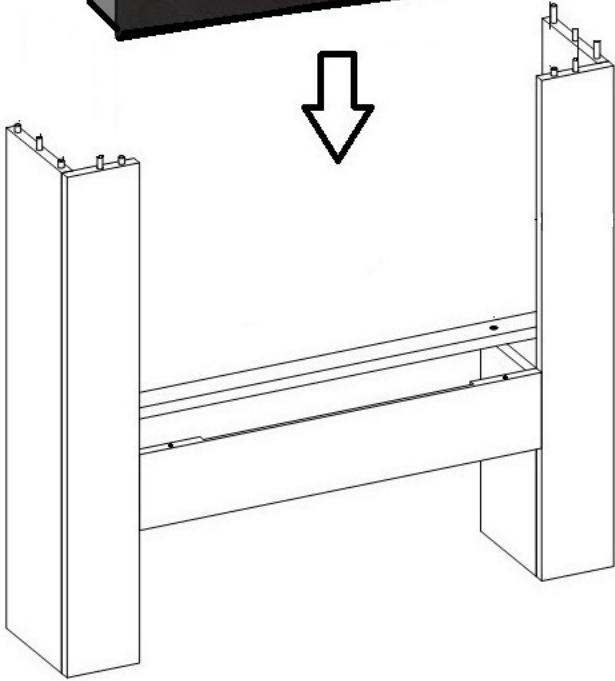
7



Adjusting



8



9

